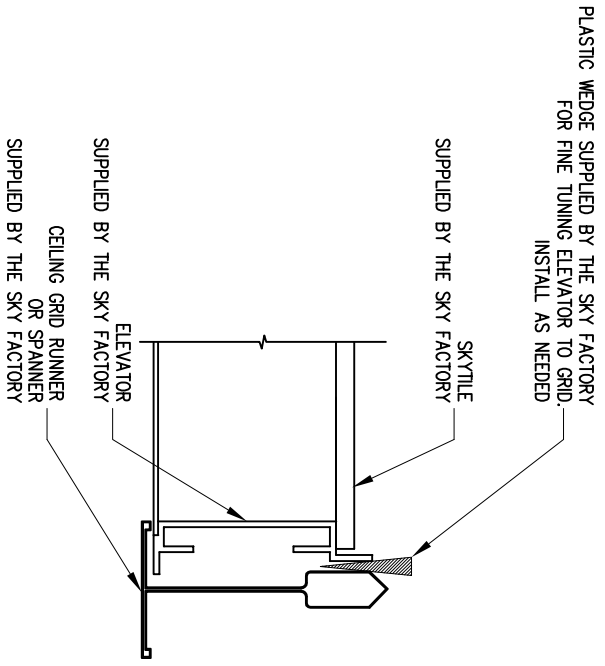


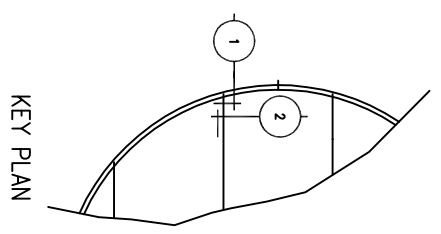
1
D2

PERIMETER EDGE DETAIL
 CEILING GRID TO CURVED PERIMETER ANGLE
 (ELEVATOR, HOLD-DOWN AND BACKER ROD
 REMOVED FOR CLARITY)



2
D2

ELEVATOR/GRID CROSS-SECTION



KEY PLAN



PO BOX 1177
 Fairfield, Iowa 52556
 Phone: 641-472-1747
 www.TheSkyFactory.com

PRODUCT

CIRCULAR LUMINOUS SKYCEILING
 W / PVC PERIMETER

| DATE | COMMENTS | DATE CREATED |
|----------|-----------|--------------|
| 09/21/07 | JE | |
| 09/21/07 | JE METRIC | |
| 12/17/08 | OV | |