

The Sky Factory 24PS 24V DC Power System With Dimmer Option

For technical support at any time during the installation, please call us toll free at 866-759-3228. We want your installation to go as smoothly as possible. Thank you for choosing The Sky Factory.

DC Power System With Dimmer Option:

- Input Voltage: 90 – 264 V AC
Product label specifies input voltage:
 - Auto-ranging, 100 – 240V AC, 50/60 Hz
- Output Voltage: 24 V DC
- Max. Watts (Useable): 1000 w/Dimmer
1080 w/o Dimmer
- Branch Circuits: 1 – 4,
250 Watt per Branch Maximum w/ Dimmer
270 Watt per Branch Maximum w/o Dimmer
- Fully enclosed power system enclosure with NEMA 1 rating

Non-Dimmable Certification:

- 24PS Power System when used with LSC ES22, ES22M, ES22G, ES24, ES24M and ES24G fixtures CE, UL and CSA certified by MetLabs, Inc.

Dimmable Certification:

- Dimmable 24PS Power System when used with LSC ES22, ES22M, ES22G, ES24, ES24M and ES24G fixtures CE, UL and CSA certified by MetLabs, Inc.

Features:

- Removable front cover for easy wiring
- Powder coated 18 gauge (0.0478 inch) steel enclosure; color – Blue (RAL 5015)
- AC input terminal block accepts wire sizes #8 - #18 AWG.
- Branch circuit terminal blocks accept wire sizes #10 - #22 AWG.
- Dimmer:
 - AC On/Off and Variable DC Output are controlled with one controller.
 - One controller can operate multiple power systems simultaneously.**
 - Control Potentiometer is low voltage, 300 degree rotating ¼ diameter shaft.
 - Control Potentiometer assembly mounts in standard single wide switch box.
 - Wall plate is white, other colors and finishes are available upon request.
 - Dimmer knob is satin aluminum.
- **For MRI applications where an RF filter is required**, one filter per power system is applicable. See “EcoSlim SkyCeiling With Dimmer Option Installation Instructions” or “Custom Luminous SkyCeiling LED With Dimmer Option Lighting Installation Instructions.”
- **Power System must have 12" (30.5cm) clearance for air flow. Wall mount recommended.**
- **Power System must be mounted in dry locations.**
- **Power System is specified for Sky Factory EcoSlim Fixtures only.**
- **Max. fixtures per Non-Dimmable Branch Circuit: 10 – ES22 series, 6 – ES24 series**
- **Max. fixtures per Dimmable Branch Circuit: 9 – ES22 series, 6 – ES24 series**

For Wiring Schematics, See:

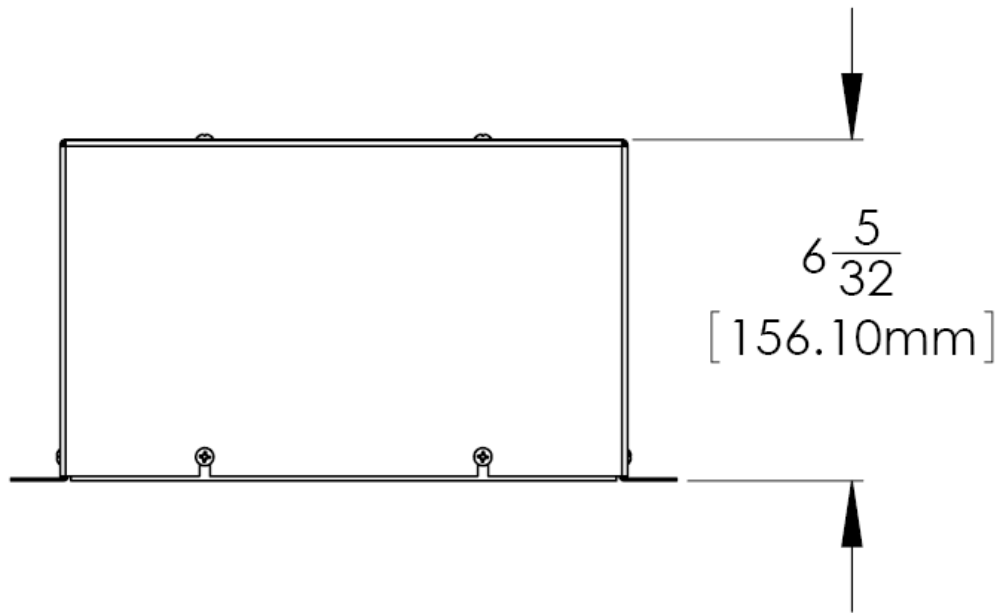
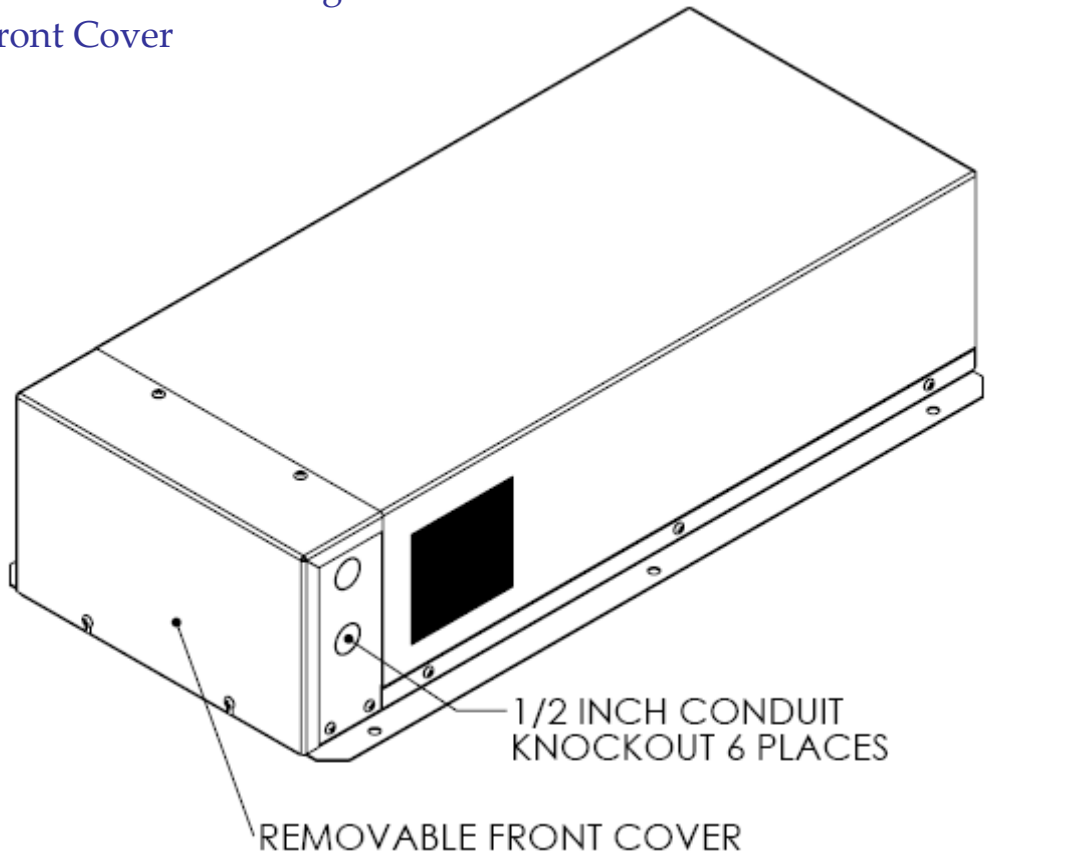
Drawings EL000203, EL000205, EL000206, EL000207, EL000208, EL000209, EL000210, EL000211, EL000364 in “EcoSlim SkyCeiling with Dimmer Option Electrical Drawing Packet” or

Diagram EL000364, EL000407, EL000408, EL000409 and Fuse Chart in “Custom Luminous SkyCeiling LED With Dimmer Option Lighting Drawing Packet.”

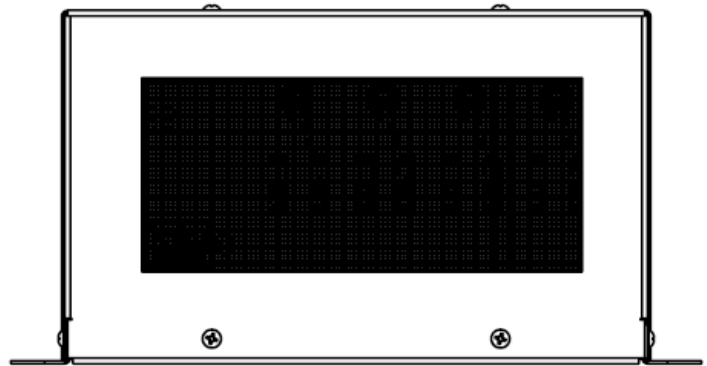
Pages 14-16 of "LED Luminous Virtual Window Recessed Installation Instructions (DC/MRI)" or "LED Luminous Virtual Window Surface Mount Installation Instructions (DC/MRI)"

For Power System Schematics, See Pages 3 – 6 of this Document.

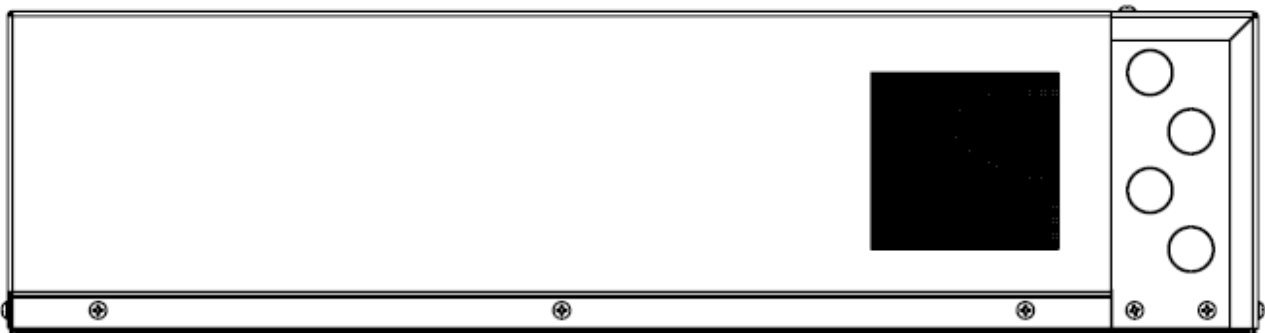
Power System Enclosure Showing
Removable Front Cover



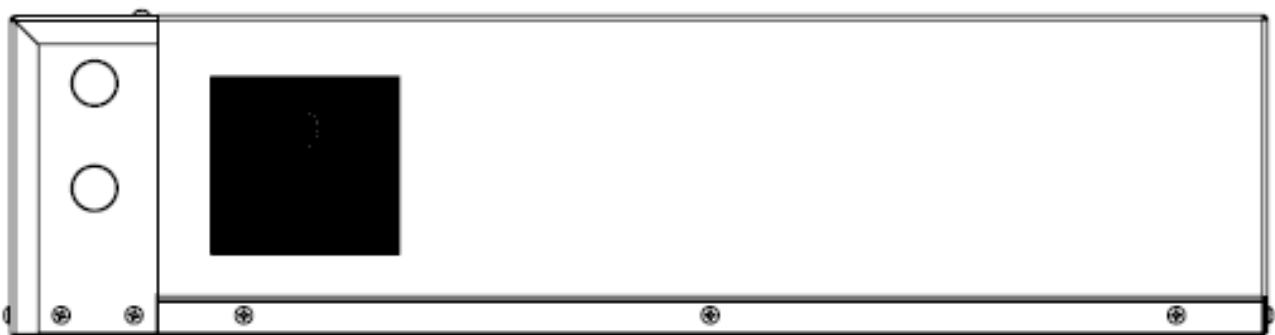
Power System Rear View



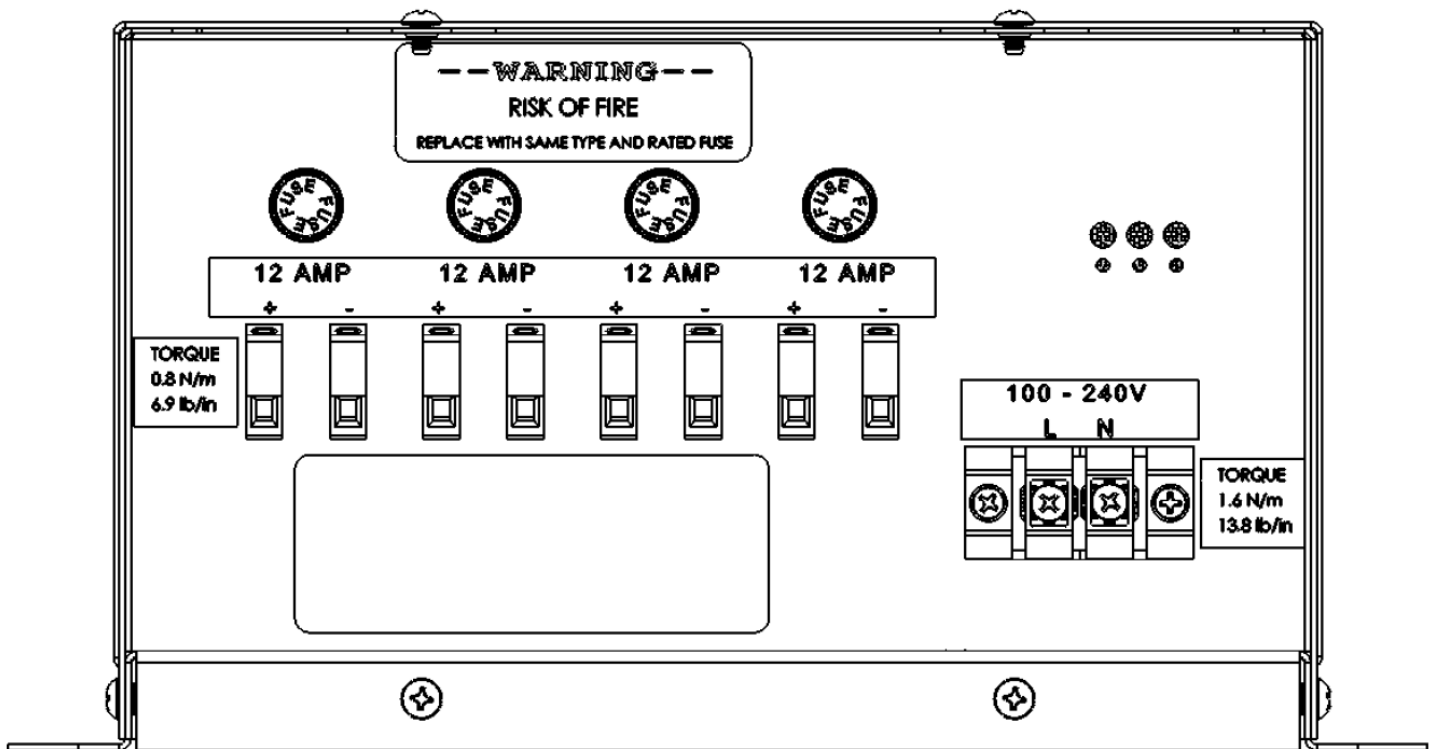
Power System Left View With Four Knock-Outs



Power System Right View With Two Knock-Outs



Power System Front View With Cover Off
Showing AC Input and Four Fused Branch Circuits



Power System Base Mounting Hole Pattern

